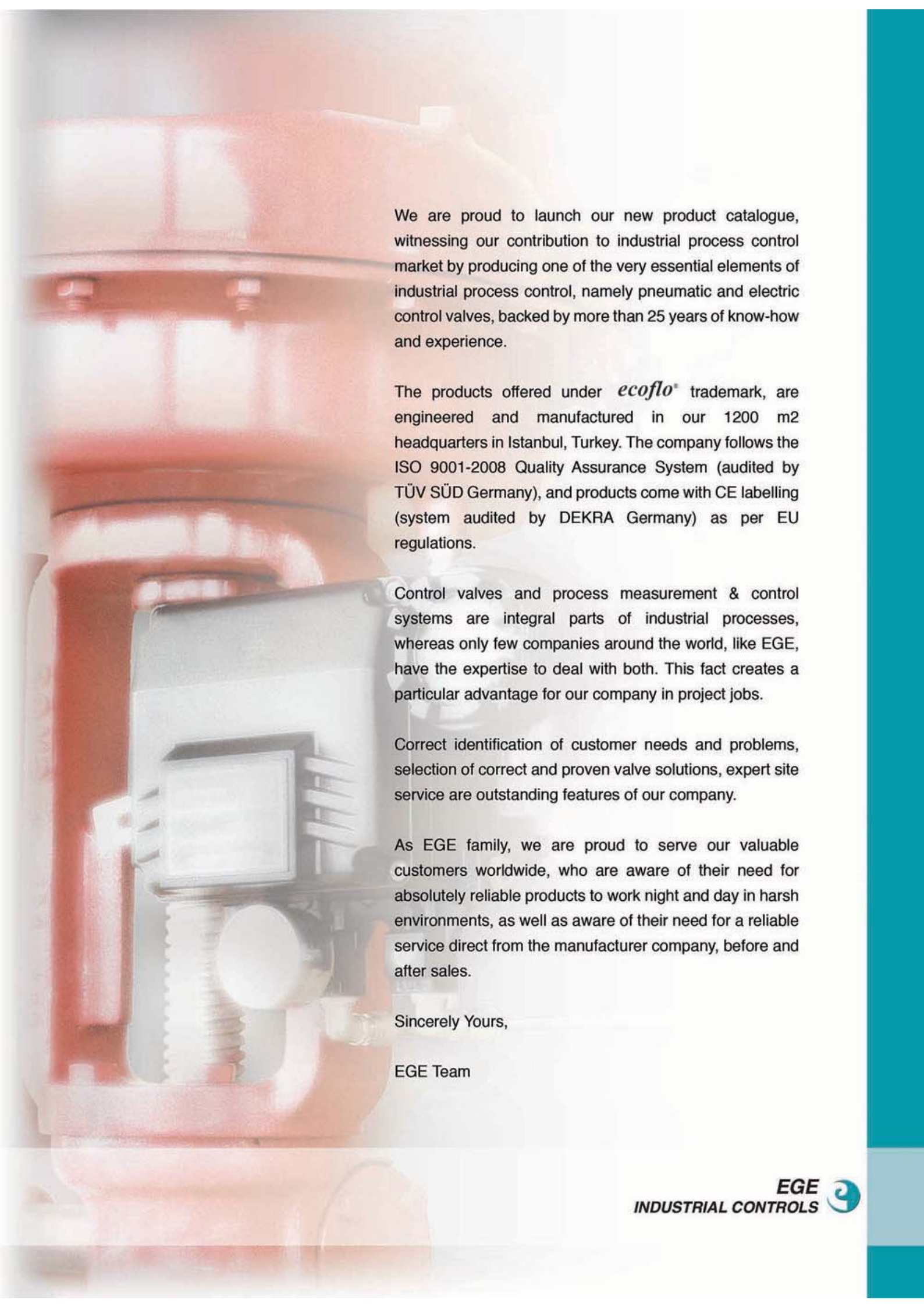




RKG

ecoflo[®]
PNEUMATIC & ELECTRIC
CONTROL VALVES





We are proud to launch our new product catalogue, witnessing our contribution to industrial process control market by producing one of the very essential elements of industrial process control, namely pneumatic and electric control valves, backed by more than 25 years of know-how and experience.

The products offered under *ecoflo*[®] trademark, are engineered and manufactured in our 1200 m² headquarters in Istanbul, Turkey. The company follows the ISO 9001-2008 Quality Assurance System (audited by TÜV SÜD Germany), and products come with CE labelling (system audited by DEKRA Germany) as per EU regulations.

Control valves and process measurement & control systems are integral parts of industrial processes, whereas only few companies around the world, like EGE, have the expertise to deal with both. This fact creates a particular advantage for our company in project jobs.

Correct identification of customer needs and problems, selection of correct and proven valve solutions, expert site service are outstanding features of our company.

As EGE family, we are proud to serve our valuable customers worldwide, who are aware of their need for absolutely reliable products to work night and day in harsh environments, as well as aware of their need for a reliable service direct from the manufacturer company, before and after sales.

Sincerely Yours,

EGE Team



GV2 pneumatic globe valve with digital positioner



GV3 pneumatic globe valve

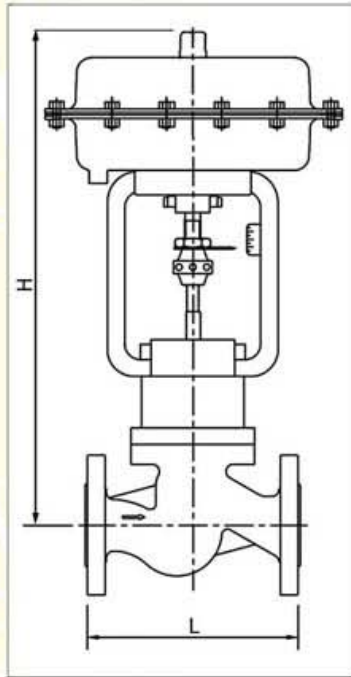
General Features

- 2-way or 3-way design
- Wide selection of construction materials
- DIN pressure classes of PN16, PN25, and PN40 or ANSI pressure classes of ANSI 150 and ANSI 300. Additional models are available for higher pressure classes.
- Flanged, threaded or welded connections
- Leakage Class IV, V or VI
- Materials and test certificates to international standards
- Process temperature range between -30...+400°C. Consult for differeranges
- Ambient temperature range between -30...+60°C
- Diaphragm type pneumatic actuators from 240 cm² up to 1600 cm², and piston type pneumatic actuators from diameter 50 mm up to 125 mm
- Standard design is normally closed, air to open or normally open, air to close
- Choice of analog or digital positioners
- IP66 to IP68 protection, ex-proof models
- Trouble-free operation by integration of industrial air filter-regulators
- Optional manual override
- Optional position switches, air solenoids, lock-up valves, boosters, and other auxiliary accessories

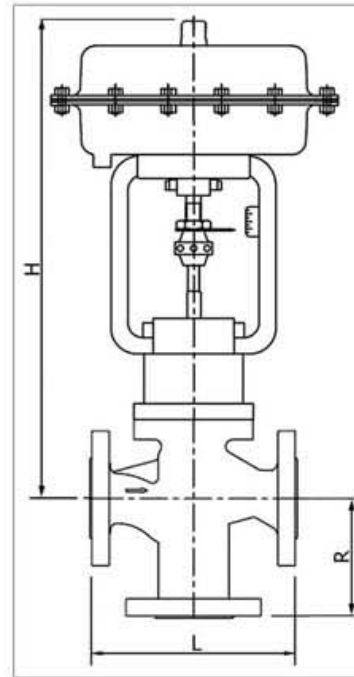
ORDERING CODE

Model	Design	Body Material	Size	Connections	Actuator	Temperature	Control mode	Options
ecoflo	GV2 : 2-way	0 : AISI 316	15	0 : Welded	50 (Piston)	0 : Standard (100°C)	0 : On-Off	0 : None
	GV3 : 3-way	01 : St. Steel, PTFE coated	20	1 : Threaded	80 (Piston)	1 : High (220°C)	1 : Linear (Manual valve)	NO : Normally open
		2 : Bronze	25	F0 : Flanged PN10	125 (Piston)	ST : Special range	PP1 : Linear, P/P positioner	DA : Double action
	3 : GG-25 Cast iron	32	F1 : Flanged PN16	240 (Diaphragm)	PP2 : Equal %, P/P positioner		LS1 : 1 limit switch	
		4 : GGG40/50 Ductile iron	40	F2 : Flanged PN25	350 (Diaphragm)		IP1 : Linear, I/P positioner	LS2 : 2 limit switches
		5 : GS-C25 / WCB Cast steel	50	F3 : Flanged PN40	600 (Diaphragm)		IP2 : Equal %, I/P positioner	M : Manual override
		51 : Steel, PTFE coated	65	F4 : Flanged ANSI 150	900 (Diaphragm)			SL : Stroke limitation
		6 : AISI 304	80	F5 : Flanged ANSI 300	1600 (Diaphragm)			SK : Reduced Kvs / Cv
		7 : Thermoplastics	100	SF : Special flange	H : None (Manual)			SV32 : 3/2-way air solenoid
		X : Other	125	X : Other	X : Other			SV52 : 5/2-way air solenoid
			...					FR : Air filter- regulator
			300					X : Other

Sample ordering code : *ecoflo*[®]-GV2-3-15-F1-240-1-IP1-FR (pneumatic 2-way globe valve, cast iron body, DN15 PN16 flanged, with 240 cm² diaphragm actuator, high temperature version, linear control characteristics with I/P positioner, with air filter-regulator)



GV2 pneumatic globe valve overall dimensions



GV3 pneumatic globe valve overall dimensions

GV SERIES PNEUMATIC CONTROL VALVES - TECHNICAL DATA

Size DN	Actuator (cm ²)	ΔP^1 (bar)	Installation Length				Height H (mm)	On - Off Kvs	Regulation Kvs	Weight (Kg) A ⁶
			L (mm) ³	L (mm) ⁴	L (mm) ⁵	R (mm)				
15	240	40	130	108	152	90	490	6	4	14
20	240	40	150	118	178	95	490	10	6,4	14
25	240	38	160	127	204	100	500	14	11	16
32	240	14	180	-	-	105	500	19	16	17
32	350	40	180	-	-	105	530	19	16	24
40	240	9	200	165	229	115	507	32	26	20
40	350	31	200	165	229	115	535	32	26	27
40	600	40	200	165	229	115	580	32	26	42
50	240	5	230	203	267	125	510	50	45	22
50	350	18	230	203	267	125	540	50	45	29
50	600	37	230	203	267	125	858	50	45	44
65	350	10	290	216	292	145	565	75	52	35
65	600	21	290	216	292	145	600	75	52	49
65	900	36	290	216	292	145	715	75	52	96
65	600	40 ²	290	216	292	145	600	75	52	53
80	350	5,6	310	241	318	155	580	120	92	38
80	600	13	310	241	318	155	615	120	92	53
80	900	23	310	241	318	155	730	120	92	99
80	600	40 ²	310	241	318	155	615	120	92	57
100	350	2,5	350	292	356	175	590	185	154	51
100	600	6,9	350	292	356	175	625	185	154	66
100	900	14	350	292	356	175	745	185	154	112
100	600	40 ²	350	292	356	175	625	185	154	73

(1) : Max. pressure difference when fully closed. Calculated for 0,6 – 3,0 bar spring range for 240 cm² actuators, and for 0,8 – 2,4 bar spring range for other actuators.

(2) : With pressure-balanced body (3) : PN16 / 25 / 40 body standards (4) : ANSI 150 body standard (5) : ANSI 300 body standard

(6) : Standard weight (without override) (*) : For larger sizes please refer to "General Sales Catalogue"



GV2 electric globe valve with Smartcon actuator



GV3 electric globe valve

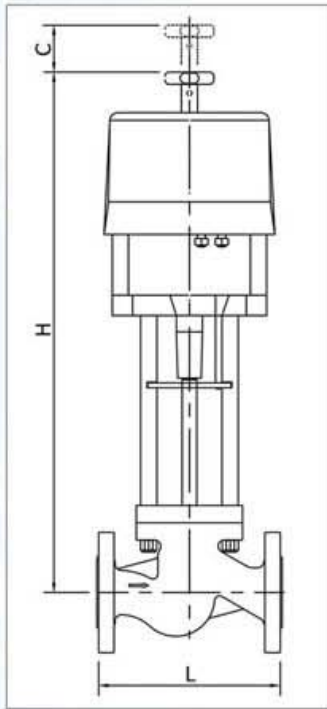
General Features

- 2-way or 3-way design
- Wide selection of construction materials
- DIN pressure classes of PN16, PN25, and PN40 or ANSI pressure classes of ANSI 150 and ANSI 300. Additional models are available for higher pressure classes.
- Flanged, threaded or welded connections
- Leakage Class IV, V or VI
- Materials and test certificates to international standards
- Process temperature range between -30...+400°C. Consult for different ranges
- Ambient temperature range between -30...+60°C
- Linear-acting or multi-turn electric actuators
- Power supply options of 24 VAC/DC, 110/220 VAC 1-phase or 380 VAC 3-phase
- Control signal options of floating contacts or 4-20 mA (0/2-10 VDC)
- IP54 to IP68 protection, ex-proof models
- Manual override available as standard
- Optional fail-safe models (Spring-closed or spring-opened at power failure)
- Optional position switches, feedback transmitter and other auxiliary accessories

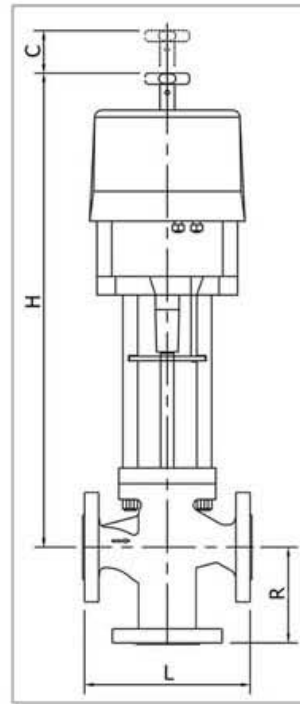
ORDERING CODE

Model	Design	Body Material	Size	Connections	Actuator	Temperature	Control Mode	Options
<i>ecoflo</i>	GV2 : 2-way	0 : AISI 316	15	0 : Welded	EA24 (0.8 kN)	0 : Standart (100°C)	0 : On-Off / floating contacts	0 : None
	GV3 : 3-way	01 : St. steel, PTFE coated	20	1 : Threaded	EA56 (1.5 kN)	1 : High (220°C)	1 : Linear floating contacts	SR : Spring return
		2 : Bronze	25	F0 : Flanged PN10	EA201 (1 kN)	ST: Special range	2 : Linear, 4-20mA	PO : Potentiometer feedback
		3 : GG-25 Cast iron	32	F1 : Flanged PN16	EA202 (2 kN)		3 : Linear, 0/2-10 VDC	PT : V / mA feedback
		4 : GGG40 / 50 Ductile iron	40	F2 : Flanged PN25	EA204 (4.5 kN)			LS1 : 1 limit switch
		5 : GS-C25 / WCB Cast steel	50	F3 : Flanged PN40	EA305 (5 kN)			LS2 : 2 limit switches
		51 : Steel, PTFE coated	65	F4 : Flanged ANSI 150	EA208 (8 kN)			SK : Reduced Kvs / Cv
		6 : AISI 304	80	F5 : Flanged ANSI 300	EA210 (10 kN)			X : Other
		7 : Thermoplastics	100	SF : Special flange	EA312 (12 kN)			
		X : Other	125	X : Other	EA314 (14 kN)			
				EA320 (20 kN)				
				EA325 (25 kN)				
				(r) AB				
				SRA : Special				

Sample ordering code: *ecoflo*®-GV3-4-32-F1-EA202-1-2-LS1 (electric 3-way globe valve, ductile iron body, DN32 PN16 flanged, with EA202 actuator, high temperature version, linear control with 4-20 mA control signal, with 1 limit switch)



GV2 electric globe valve overall dimensions



GV3 electric globe valve overall dimensions

GV SERIES ELECTRIC CONTROL VALVES - TECHNICAL DATA

Size	Actuator	ΔP	Installation Length				Height		On – off	Regulation	Weight
DN	Model	(bar)	L (mm) ²	L (mm) ³	L (mm) ⁴	R (mm)	H (mm)	C (mm) ⁵	Kvs	Kvs	Kg
15	EA 201	40	130	108	152	90	607	100	6	4	9
20	EA 201	23	150	118	178	95	607	100	10	6,4	10
20	EA 202	40	150	118	178	95	607	100	10	6,4	10
25	EA 202	29	160	127	204	100	615	100	14	11	11
25	EA 204	40	160	127	204	100	615	100	14	11	12
32	EA 202	18	180	–	–	105	615	100	19	16	13
32	EA 204	40	180	–	–	105	615	100	19	16	14
40	EA 204	26	200	165	229	115	625	100	32	26	16
40	EA 208	40	200	165	229	115	660	100	32	26	18
50	EA 208	29	230	203	267	125	665	100	50	45	20
50	EA 312	40	230	203	267	125	755	230	50	45	22
65	EA 210	22	290	216	292	145	675	100	75	52	25
65	EA 314	30	290	216	292	145	755	230	75	52	27
65	EA 320	40	290	216	292	145	945	230	75	52	27
80	EA 208	11	310	241	318	155	690	100	120	92	28
80	EA 314	20	310	241	318	155	770	230	120	92	30
80	EA 325	36	310	241	318	155	960	230	120	92	40
100	EA 320	18	350	292	356	175	970	230	185	154	53
100	EA 325	23	350	292	356	175	970	230	185	154	53
100	EA 204	40 ¹	350	292	356	175	670	100	185	154	39

(1) : With pressure-balanced body (2) : PN16 / 25 / 40 body standards (3) : ANSI 150 body standard

(4) : ANSI 300 body standard (5) : Clearance required to open actuator cover

(*) : For larger size from DN100 please get "General Sale Catalog"

General Features



GV2 Pneumatic Control Valve
(with manual override)

- Sizes from DN15 (1/2") up to DN300 (12")
- DIN pressure classes of PN16 ... PN630 or ANSI pressure classes of ANSI 150 ... ANSI 4500
- Flanged or welded connections
- Leakage Class IV to VI
- Process temperature range between -30 ... +550°C
- Provided with pneumatic, electric or hydraulic actuator
- Choice of analog or digital positioner
- Optional manual override
- Manufacturing under quality management system ISO 9001 – 2008 (TÜV)
- Material and hydraulic tests certificate to EN 10204 3.1
- Hydraulic tests according to EN 12266-1 and API598 standards

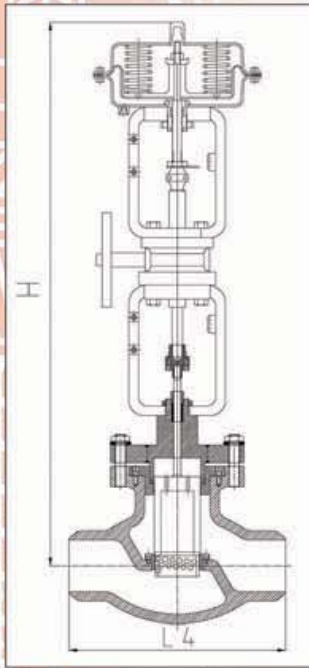


GV2L L-type
Electric Control Valve

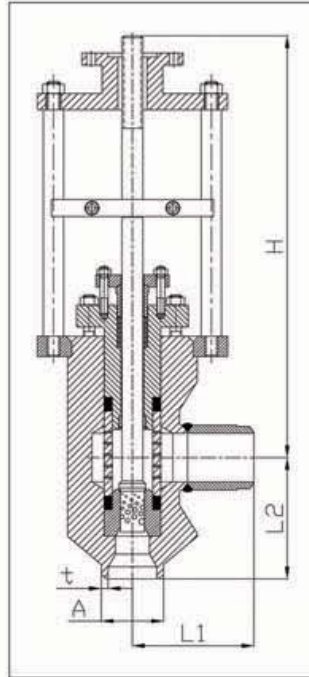
- Wide selection of construction materials;
Cast Steel : A216 Gr. WCB (GS-52; GS-C25), A217 Gr.WC6 (GS-17CrMo55), A217 Gr.WC9 (GS-12CrMo910)
Forged Steel : A105 (15Mo3), A182 F11 (13CrMo4-4), A182 F22 (10CrMo9-10), A182 F91 (X10CrMoVNb 9-1)

ORDERING CODE								
Model	Design	Body Material	Size	Connections	Actuator	Temperature	Control Mode	Options
ecoflo®	GV2 : 2-way	5 : GS-C25 / WCB Cast or forged steel	15	0 : Welded	240 cm ²	1 : 220°C	0 : On-Off	0 : None
	GV3 : 3-way	0 : AISI316 Cast or forged steel	20	1 : Threaded	350 cm ²	ST : 550°C	1 : Linear Manual valve	NO : Normally open
	GV2L : L-type	X : Other	25	F6 : Flanged PN100...PN160	600 cm ²		PP1 : Linear, P/P positioner	DA : Double action
	GV2Z : Z-type		32	F7 : Flanged ANSI 600	900 cm ²		PP2 : Equal %, P/P positioner	LS1 : 1 Limit switch LS2 : 2 Limit switches
			40	F8 : Flanged PN250...400	1600 cm ²		IP1 : Linear, I/P positioner	M : Manual override
			50	F9 : Flanged ANSI 900...1500	AB : Electrical act.; On-Off		IP2 : Equal %, I/P positioner	PO : Potentiometer feedback
			65	SF : Special Flange	rAB : Electrical act.; Regulation		1 : Linear floating contacts	PT : V / mA feedback
			80	X : Other	PA : Piston		2 : Linear, 4-20 mA (electrical act.)	SK : Reduced Kvs / Cv
			100		H : None (Manual override)			SV32 : 3/2-way air solenoid
			125		X : Other			SV52 : 5/2-way air solenoid
			...					FR : Air filter- regulator
			300					X : Other

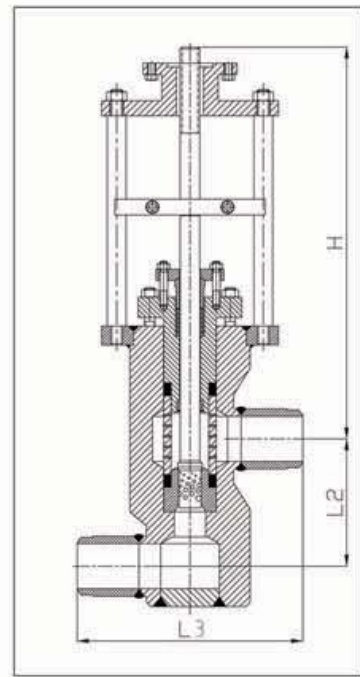
Sample ordering code : ecoflo-GV2-3-15-F1-240-1-IP1-FR (Pneumatic 2-way glob valve, cast iron body, DN15 PN16 flanged, with 240 cm² diaphragm actuator, high temperature version, linear control characteristics with I/P positioner, with air filter regulator)



ecoflo® - **GV2** high pressure pneumatic control valve (with manual override)



ecoflo® - **GV2L** L-type control valve



ecoflo® - **GV2Z** Z-type control valve

**GV2 SERIES CONTROL VALVES
TECHNICAL DATA**

Size DN	Actuator (cm ²)	L ₁ ¹ (mm)	H ² (mm)	Kvs (m ³ /h)	Weight ³ Kg
15	240	216	490	4	14
20	240	216	490	6,4	14
25	240	216	500	11	16
32	350	260	530	16	17
40	350	260	535	26	27
50	350	318	540	45	29
65	600	318	600	52	49
80	600	381	615	92	53
100	600	406	625	154	66
125	600	610	660	237	96
150	900	610	795	338	167
200	900	762	815	560	211
250	900	1016	915	870	388
300	900	1118	915	1260	485

**GV2L SERIES CONTROL VALVES
TECHNICAL DATA**

Size DN	L ₁ (mm)	L ₂ (mm)	H (mm)	Kvs	Weight Kg
40	125	175	525	26	40
50	125	175	525	26	40
65	150	275	625	26	90
100	250	375	725	65	150
150	370	370	720	275	220
200	430	420	770	530	350

**GV2Z SERIES CONTROL VALVES
TECHNICAL DATA**

Size DN	L ₃ (mm)	L ₂ (mm)	H (mm)	Kvs	Weight Kg
40	250	175	525	26	45
50	250	175	525	26	45
65	300	275	625	26	97
100	500	375	725	65	160
150	740	370	720	275	255
200	860	420	770	530	370

(1) : Face - to - face acc ANSI 2500 Consult for other classes
(2) : Standard height (without manual override)
(3) : Standard weight (without manual override)



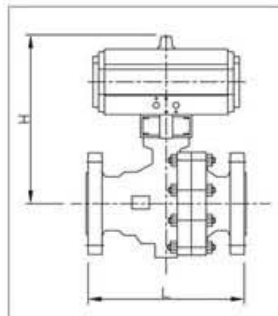
BV2 pneumatic ball valve
3-piece, flanged body
with declutchable gearbox



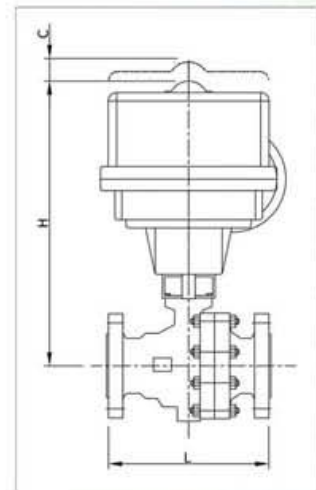
VBV V-ball control valves

General Features

- Design without obstruction against flow
- Simple construction allowing easy maintenance
- 2-way or 3-way design
- PTFE or metal seated versions
- DIN pressure classes of PN10, PN16, PN25, and PN40 or ANSI pressure classes of ANSI 150 and ANSI 300.
- Wafer type, threaded, flanged or welded connections
- Leakage Class IV, V or VI
- Materials and test certificates to international standards
- Process temperature range between -30...+220°C. Consult for different ranges
- Provided with pneumatic or electric actuators
- Manual override as standard for electric actuators, and as an option for pneumatic actuators
- Choice of analog or digital positioners for regulation service
- IP66 to IP68 protection, ex-proof models
- Ambient temperature range between -30...+60°C
- Optional position switches, air solenoids, lock-up valves, boosters, and other auxiliary accessories



BV2 pneumatic ball valve
2-piece, flanged body overall dimensions



BV2 electric ball valve
2-piece, flanged body overall dimensions

BV SERIES 2-PIECE BALL VALVES - TECHNICAL DATA

Size		Actuator Model		Installation Length			Height			Weight (kg)	
DN	Inch	Pneumatic	Electric	L (mm) ¹	L (mm) ²	L (mm) ³	H(mm) ⁴	H (mm) ⁵	C (mm) ⁶	A1 ⁴	A2 ⁵
15	1/2"	PA40	EA52	115	108	140	200	376	170	5	10
20	3/4"	PA40	EA52	120	118	152	205	378	170	6	15
25	1"	PA40	EA52	125	127	165	210	384	170	7	15
32	1 1/4"	PA50	EA52	130	140	178	230	394	170	15	20
40	1 1/2"	PA50	EA52	140	165	190	235	400	170	15	20
50	2"	PA63	EA67	150	178	216	240	409	170	15	20
65	2 1/2"	PA63	EA67	170	190	241	275	439	170	20	25
80	3"	PA80	EA102	180	203	283	325	550	170	20	25
100	4"	PA90	EA202	190	229	305	340	665	170	35	40
125	5"	PA110	EA502	325	356	381	415	685	250	65	80
150	6"	PA125	EA502	350	394	403	435	708	250	70	85
200	8"	PA150	EA702	400	457	502	510	779	250	110	120
250	10"	PA175	EA1002	450	534	568	560	815	250	205	210
300	12"	PA200	EA1002	500	610	648	650	915	250	330	320

(1): PN16 / 25 / 40 body standards

(2): ANSI 150 body standard

(3): ANSI 300 body standard

(4): With pneumatic actuator

(5): With electric actuator

(6): Clearance to remove actuator cover

Not: For technical data of 3-piece ball valves please get "General Sales Catalog"

PNEUMATIC VALVES ORDERING CODE								
Model	Type	Body Mat'l	Size	Connections	Ball Mat'l	Actuator	Control Mode	Options
<i>ecoflo</i>	BV2 : 2-way	0 : AISI 316	15	W : Wafer	0 : AISI 316	H : Manual	0 : On-Off	0 : None
	BV3 : 3-way	01 : St. steel, PTFE coated	20	0 : Welded	6 : AISI 304	PA 40	PP : P/P positioner	NO : Normally open
	VBV : V-ball	1 : Brass	25	1 : Threaded	7 : T.plastics	PA 50	IP : I/P positioner	SA : Single-acting
		3 : GG-25 Cast iron	32	F0 : Flanged PN10	X : Other	PA 63		LS2 : 2 limit switches
		4 : GGG-40 / 50 Ductile iron	40	F1 : Flanged PN16		PA 80		GB : Manual override (gearbox)
		5 : GS-C25 / WCB Cast steel	50	F2 : Flanged PN25		PA 90		L : Manual operation (lever)
		51 : Steel, PTFE coated	65	F3 : Flanged PN40		PA 110		PT : V / mA feedback
		6 : AISI 304	80	F4 : Flanged ANSI 150		PA 125		SV32 : 3/2-way air solenoid valve
		7 : Thermoplastics	100	F5 : Flanged ANSI 300		PA 150		SV52 : 5/2-way air solenoid valve
		X : Other	125	X : Other		PA 175		SVN32 / SVN52 : Namur type air solenoid valve
		150	SF : Special flange		PA 200		FR : Air filter- regulator	
		200			PA 250		MS : Metal seated	
		250			PA 300		X : Other	
		300			PA 350			
					SRA : Special			

Sample ordering code: *ecoflo*[®]-BV2-0-15-1-0-PA40-0-LS2 (pneumatic 2-way ball valve, AISI 316 body and ball, DN15 (1/2") threaded connections, with PA40 actuator, on-off operation, with 2 limit switches)

ELECTRIC VALVES ORDERING CODE								
Model	Type	Body Material	Size	Connections	Ball Mat'l	Aktuator ¹	Control Mode	Options
<i>ecoflo</i>	BV2 : 2-way	0 : AISI 316	15	W : Wafer	0 : AISI 316	EA 20 (20 Nm)	0 : On-off / Floating contacts	0 : None
	BV3 : 3-way	01 : St. steel, PTFE coated	20	0 : Welded	6 : AISI 304	EA 35 (35 Nm)	1 : Regulation Floating contacts	PO : Potentiometer feedback
	VBV : V-ball	1 : Brass	25	1 : Threaded	7 : T.plastics	EA 52 (50 Nm)	2 : Regulation 4-20 mA	PT : V / mA feedback
		3 : GG-25 Cast iron	32	F0 : Flanged PN10	X : Other	EA 60 (60 Nm)	3 : Regulation 0-10 V	LS2 : 2 limit switches
		4 : GGG-40 / 50 Ductile iron	40	F1 : Flanged PN16		EA 67 (65 Nm)		MS : Metal seated
		5 : GS-C25 / WCB Cast steel	50	F2 : Flanged PN25		EA 100 (100 Nm)		X : Other
		51 : Steel, PTFE coated	65	F3 : Flanged PN40		EA 102 (130 Nm)		0 : None
		6 : AISI 304	80	F4 : Flanged ANSI 150		EA 202 (250 Nm)		
		7 : Thermoplastics	100	F5 : Flanged ANSI 300		EA 502 (500 Nm)		
		X : Other	125	X : Other		EA 702 (700 Nm)		
		150	SF : Special flange		EA 1002 (1000 Nm)			
		...			(r) AB			
		300			SRA : Special			

(1) : Please specify power supply with purchase order.

Sample ordering code: *ecoflo*[®]-BV2-0-25-F1-0-ER20-0-LS2 (electric 2-way ball valve, AISI 316 body and ball, DN25 PN16 flanged connections, with EA20 actuator, on-off operation, with 2 limit switches)

General Features

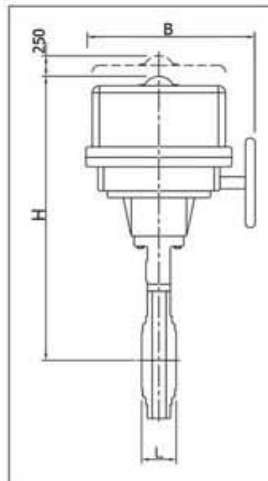


Pneumatic butterfly valve wafer body, metal seated

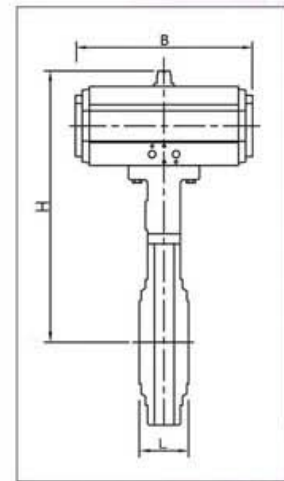
- Compact design
- Relatively lower cost for larger sizes
- Elastomer, polymer, or metal seat options
- DIN pressure classes of PN10, PN16, PN25, and PN40 or ANSI pressure classes of ANSI 150 and ANSI 300.
- Wafer type, lug type, flanged or welded connections
- Leakage Class IV, V or VI
- Materials and test certificates to international standards
- Process temperature range between -30...+200°C. Consult for different ranges
- Provided with pneumatic or electric actuators
- Manual override as standard for electric actuators, and optional for pneumatic actuators
- Choice of analog or digital positioners for regulation service
- IP66 to IP68 protection, ex-proof models
- Ambient temperature range between -30...+60°C
- Optional position switches, air solenoids, lock-up valves, boosters, and other auxiliary accessories



Electric butterfly valve with EA202 actuator



BT series electric butterfly valve wafer or lug type overall dimensions



BT series pneumatic butterfly valve wafer or lug type overall dimensions

BT SERIES WAFER AND LUG TYPE BUTTERFLY VALVES – TECHNICAL DATA

Size		Actuator		Installation Length	Total Length		Height (mm) *		Kvs	Cv	Weight (Kg)	
DN	Inch	Pneumatic	Electric	L (mm) ¹	B ²	B ³	H ²	H ³			A1	A2
50	2"	PA40	EA52	43	80	270	265	460	40	46	6	11
65	2 1/2"	PA50	EA52	46	80	270	290	472	70	81	7	12
80	3"	PA50	EA52	46	95	270	300	480	110	128	8	13
100	4"	PA63	EA67	52	95	270	315	497	180	209	10	15
125	5"	PA63	EA67	56	95	270	330	510	320	371	12	16
150	6"	PA80	EA102	56	125	270	375	525	470	545	14	18
200	8"	PA90	EA202	60	125	310	410	600	790	916	24	30
250	10"	PA110	EA502	68	175	420	485	745	1250	1450	33	50
300	12"	PA125	EA502	78	175	420	520	780	1800	2088	44	60
350	14"	PA150	EA702	78	205	420	590	820	2400	2784	72	84
400	16"	PA175	EA1002	102	205	420	615	845	3080	3573	100	105
450	18"	PA200	EA1002	114	300	420	705	870	4150	4814	135	125
500	20"	PA200	EA1002	127	300	420	755	920	5200	6032	175	170

(1): PN10 / 16 / 25 body standards

(2): With pneumatic actuator

(3): With electric actuator

(4): Wafer type valve with pneumatic actuator (5): Wafer type valve with electric actuator

(*) : Not valid for flanged valves and metal-seated valves

Note: For flanged butterfly valves with electric actuator, please refer to "General Sales Catalogue"

PNEUMATIC VALVES ORDERING CODE							
Model	Disc Mat'l	Size	Connections	Seat Mat'l	Actuator	Control Mode	Options
<i>ecoflo-BT</i>	0 : AISI 316	50	0 : Welded	0 : Buna-N	H : Manual	0 : On-off	0 : None
	01 : St. steel, PTFE coated	65	W : Wafer	1 : EPDM	PA 40	PP : P/P positioner	NO : Normally open
	1 : Al. Bronze	80	L : Lug	2 : EPDM Hi-temp	PA 50	IP : I/P positioner	SA : Single-acting
	3 : GG-25 Cast iron	100	F0 : Flanged PN10	3 : Viton	PA 63		LS2 : 2 limit switches
	4 : GGG-40 / 50 Ductile iron	125	F1 : Flanged PN16	4 : Silicone	PA 80		GB : Manual override (gearbox)
	5 : GS-C25 / WCB Cast steel	150	F2 : Flanged PN25	5 : PTFE	PA 90		L : Manual operation (lever)
	51 : Steel, PTFE coated	200	F3 : Flanged PN40	M : Metal	PA 110		PT : V / mA feedback
	6 : AISI 304	250	F4 : Flanged ANSI 150	X : Other	PA 125		SV32 : 3/2-way air solenoid valve
	7 : Thermoplastics	300	F5 : Flanged ANSI 300		PA 150		SV52 : 5/2-way air solenoid valve
	X : Other	350	SF : Special flange		PA 175		SVN32 / SVN52 : Namur type air solenoid valve
		400	0 : Welded		PA 200		FR : Air filter-regulator
		450			PA 250		X : Other
		500			PA 300		
		...			PA 350		
		2000			SRA : Special		

Sample Ordering Code: *ecoflo*[®]-BT-0-80-W-1-PA80-0-LS2 (pneumatic butterfly valve, DN80 (3") wafer type, AISI 316 disc, EPDM seat, with PA80 actuator, on-off operation, with 2 limit switches)

ELECTRIC VALVES ORDERING CODE							
Model	Disc Mat'l	Size	Connections	Seat Mat'l	Actuator ¹	Control Mode	Options
<i>ecoflo-BT</i>	0 : AISI 316	50	0 : Welded	0 : Buna-N	EA 20 (20 Nm)	0 : On-off / Floating contacts	0 : None
	01 : St. steel, PTFE coated	65	W : Wafer	1 : EPDM	EA 35 (35 Nm)	1 : Regulation Floating contacts	PO : Potentiometer feedback
	1 : Al. Bronze	80	L : Lug	2 : EPDM Hi-temp	EA 52 (50 Nm)	2 : Regulation 4-20 mA	PT : V / mA feedback
	3 : GG-25 Cast iron	100	F0 : Flanged PN10	3 : Viton	EA 60 (60 Nm)	3 : Regulation 0-10 V	LS2 : 2 limit switches
	4 : GGG-40 / 50 Ductile iron	125	F1 : Flanged PN16	4 : Silicone	EA 67 (65 Nm)		X : Other
	5 : GS-C25 / WCB Cast steel	150	F2 : Flanged PN25	5 : PTFE	EA 100 (100 Nm)		
	51 : Steel, PTFE coated	200	F3 : Flanged PN40	M : Metal	EA 102 (130 Nm)		
	6 : AISI 304	250	F4 : Flanged ANSI 150	X : Other	EA 202 (250 Nm)		
	7 : Thermoplastics	300	F5 : Flanged ANSI 300		EA 502 (500 Nm)		
	X : Other	350	SF : Special flange		EA 702 (700 Nm)		
		400			EA 1002 (1000 Nm)		
		...			(r) AB		
		2000			SRA : Special		

¹ : Please specify power supply with purchase order.

Sample Ordering Code: *ecoflo*[®]-BT-0-80-W-1-EA35-0-LS2 (electric butterfly valve, DN80 (3") wafer type, AISI 316 disc, EPDM seat, with EA35 actuator, on-off operation with floating contacts, with 2 limit switches)



AS pneumatic valve



AS electric valve

General Features

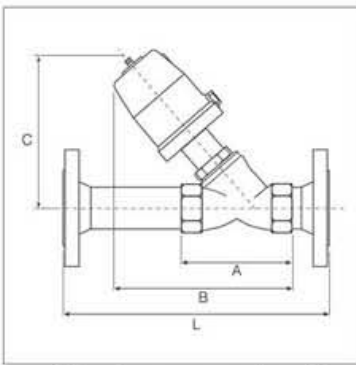
- Sizes from DN15 (1/2") up to DN80 (3").
- Investment cast body for a long life (stainless steel body)
- Compact dimensions
- PN40 pressure class for stainless steel body and PN16 pressure class for brass body
- Fluid temperature : 180°C max

Pneumatic Valves

- Normally closed, air to open or vica versa
- Air supply : 4...6 bar
- Pressure and heat resistant polyamid actuator or metal (aluminium) actuator
- Optional regulation duty by integration of electro-pneumatic positioner

Electric Valves

- IP54 protection class
- 24 VAC/DC or 230 VAC, 50/60 Hz power supply
- Control signal options of floating contacts, 4-20 mA or 2-10 V
- Manual override
- Optional spring-return function



AS series pneumatic valve overall dimensions

AS SERIES PNEUMATIC VALVES - TECHNICAL DATA												
DN	Inch	Piston Size (mm)	ΔP ¹ (bar)	A (mm)		B ² (mm)	C ³ (mm)	Installation Length L (mm)	Stroke (mm)	Kvs		Weight ³ (Kg)
				SS Body	Brass Body					On - Off	Regulation	
15	1/2"	50	16	65	58	135	120	230	7	3.5	3 ²	1
20	3/4"	50	12	75	70	135	125	260	12	9	6 ²	1.1
25	1"	50	6	90	88	145	130	260	16	17	-	1.3
25	1"	80	16	90	88	185	170	260	16	17	10	1.7
32	1 1/4"	50	5	110	93	160	145	300	16	21	-	1.7
32	1 1/4"	80	12	110	93	200	190	300	20	28	18	2.1
40	1 1/2"	80	7	120	110	205	195	300	23	39	25	2.4
40	1 1/2"	125	15	120	110	235	220	300	23	39	25	7
50	2"	80	4	150	130	225	200	350	29	62	40	3
50	2"	125	12	150	130	250	225	350	29	62	40	9
65	2 1/2"	80	3	-	145	260	210	-	29	93	60	5
65	2 1/2"	125	6	-	145	285	240	-	29	93	60	10
80	3"	125	3	-	165	305	250	-	29	115	80	11

(1) : Max. pressure difference when fully closed

(2) : With Ø80 mm actuator

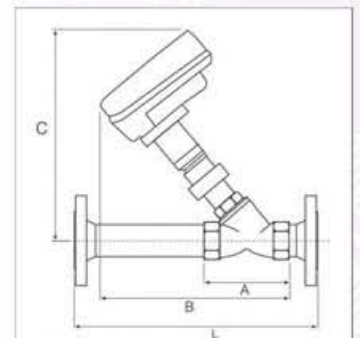
(3) : Valid for threaded body with thermoplastic actuator

AS SERIES ELECTRIC VALVES - TECHNICAL DATA											
DN	Inch	Çap (bar)	ΔP ¹ (bar)	A (mm)		B (mm)	C (mm)	Installation Length L (mm)	Kvs		Weight ² (Kg)
				SS Body	Brass Body				On - Off	Regulation	
15	1/2"	16	65	58	221	295	230	3.5	3	2	
20	3/4"	16	75	70	228	303	260	9	6	2.1	
25	1"	13	90	88	239	312	260	17	10	2.2	
32	1 1/4"	8	110	100	248	320	300	28	18	2.7	
40	1 1/2"	5	120	110	270	335	300	39	25	3.5	
50	2"	3	150	130	292	350	350	62	40	4	
65	2 1/2"	1.8	-	150	315	364	-	93	60	6	
80	3"	1.2	-	165	340	378	-	115	80	8	

Above table is based on actuator model EA24. Consult for other actuator models.

(1): Max. pressure difference when fully closed

(2) : Valid for threaded body



AS series electric valve overall dimensions

ORDERING CODE FOR PNEUMATIC VALVES							
Model	Body Material	Size	Connections	Actuator	Temperature	Control Mode	Options
<i>ecoflo-AS</i>	0 : AISI 316 ¹	15	0 : Welded	50 (piston)	0 : Standard (100°C)	0 : On-off	0 : None
	1 : Brass ²	20	1 : Threaded	50M (piston)	1 : High (220°C)	1 : Linear (Manual valve)	NO : Normally open
	7 : Thermoplastics	25	F0 : Flanged PN10	80 (piston)	ST : Special range	IP1 : Linear, I/P positioner	DA : Double-action
	X : Other	32	F1 : Flanged PN16	80M (piston)		IP2 : Equal %, I/P positioner	LS1 : 1 limit switch
		40	F2 : Flanged PN25	125M (piston)			LS2 : 2 limit switches
		50	F3 : Flanged PN40	240 (diaphragm)			M : Manual override
		65	F4 : Flanged ANSI 150	H : None (Manual)			SL : Stroke limitation
		80	F5 : Flanged ANSI 300				SK : Reduced Kvs / Cv
			SF : Special flange				SV32 : 3/2-way air solenoid
			X : Other				SV52 : 5/2-way air solenoid
					FR : Air filter-regulator		
					X : Other		

(1) : Up to size DN50 (2")

(2) : Only with threaded body

Sample ordering code: *ecoflo-AS*-0-15-1-50-0-0-NO-LS1 (pneumatic angle-seat valve, AISI 316 body, DN15 (1/2") threaded connections, with 50 mm piston actuator, standard temperature, on-off operation, normally open, with 1 limit switch)

ORDERING CODE FOR ELECTRIC VALVES							
Model	Body Mat'l	Size	Connections	Actuator ³	Temperature	Control Mode	Options
<i>ecoflo-AS</i>	0 : AISI 316 ¹	15	0 : Welded	EA24 : (0.8 kN)	0 : Standard (100°C)	0 : On-off	0 : None
	1 : Brass ²	20	1 : Threaded	SRA : Special type	1 : High (220°C)	1 : Linear, floating contacts	SR : Spring return
	7 : Thermoplastics	25	F0 : Flanged PN10	X : Other	ST : Special range	2 : Linear, 4-20 mA	PO : Potentiometer feedback
	X : Other	32	F1 : Flanged PN16			3 : Linear, 2-10 VDC	PT : V / mA feedback
		40	F2 : Flanged PN25				LS1 : 1 limit switch
		50	F3 : Flanged PN40				LS2 : 2 limit switches
		65	F4 : Flanged ANSI 150				SK : Reduced Kvs / Cv
		80	F5 : Flanged ANSI 300				X : Other
			SF : Special flange				
			X : Other				

(1) : Up to size DN50 (2")

(2) : Only with threaded body

(3) : Please specify power supply with order

Sample ordering code: *ecoflo-AS*-0-15-1-EA24-0-1-PT-LS1 (electric angle-seat valve, AISI 316 body, DN15 (1/2") threaded connections, with EA24 actuator, standard temperature, linear control with floating contacts, 2-10V feedback, with 1 limit switch)



MAJOR REFERENCES

POWER PLANTS

AK ENERGY
ERE ENERGY
EUAS AFSIN-ELBISTAN
EUAS CATALAGZI
EUAS KANGAL
EUAS ORHANELI
EUAS SEYITOMER
EUAS TUNCBILEK
EUAS YENIKOY
GAMA POWER
OKA ENERGY

AUTOMOTIVE

BOSCH ELECTRICAL
SYSTEMS
OTOYOL (IVECO)
RENAULT

PHARMACEUTICAL

ECZACIBASI

IRON & STEEL

BORCELIK
(ARCELOR GROUP)
ERDEMIR
ISDEMIR
KARDEMIR

PAPER

HALKALI PAPER
HAYAT PAPER
MOPAK PAPER
GULF PAPER
(SAUDI ARABIA)
YASHLIK PAPER
(TURKMENISTAN)

TEXTILE

ACAR TEKSTIL
ADIM TEKSTIL
AKIN TEKSTIL
AKTOPS
CAN TEKSTIL
ENA
LEVI'S
TÜP MERSERİZE

CHEMICAL

GEMLIK FERTILIZER
GREEN CHEMICALS
HENKEL
KORUMA KLOR
MAURI MAYA
(BURNS PHILP)
RECKITT BENCKISER

FOOD

COCA COLA
DANONE
KENT GIDA
(CADBURY SCHWEPPE)
NESTLE
TURKISH SUGAR
TURK TUBORG

OIL & GAS

BOTAS
(TURKISH OIL & GAS
TRANSPORT.)
TUPRAS
(TURKISH OIL
REFINERIES, INC.)

MINE PROCESSING

ETI BORAX
ETI COPPER
ETI SODA ASH
ICI SODA ASH PAKISTAN
SODA SAN. KROMSAN

MANUFACTURING

ARCELIK (BEKO)
CEM ARMATURES
THY TEKNİK

WATER TREAT.

DENİZ SU (AQUAMATCH)
MIKRON

CEMENT

LAFARGE
NUH
SET GROUP

RKKG

ENERGIETECHNIK GmbH

Regeltechnik | Kompensatoren | Gebäudeautomation
1120 Wien, Murlingengasse 42 Tel: +43 (1) 813 35 16 - 0 www.rkg.at